

Dimensions in mm

Type	A		B	
	min.	max.	min.	max.
TL5-C 22W	220	230	187	197
TL5-C 40W	293	305	260	272
TL5-C 55W	293	305	260	272
TL5-C 60W	367	379	334	346

## Definition

MASTER TL5 Circular lamps are fluorescent lamps with a tube diameter of 16 mm and with circular shape.

## Description

MASTER TL5 Circular lamps by their shape are designed to enable architects and designers to bring the benefits of the TL5 concept to an even wider range of attractive and effective lighting applications.

Thanks to the slim T5 tube dimensions the MASTER TL5-C lamps will allow extremely flat (25 mm) luminaires to be created. These will combine high optical efficiency with compact dimensions, enabling them to blend unobtrusively into the interior decor.

The rotational symmetry of the MASTER TL5 Circular lamp concept means extra freedom of design. Luminaire designers are able to create products which are omnidirectional in both light distribution and design.

Lighting schemes will no longer be dictated by the dominant direction of the standard linear fluorescent luminaires.

## Characteristics

- circular shape with diameters ranging from 22.5 cm to 37.5 cm
- luminous flux up to 5000 lm
- high lamp efficacy up to 83 lm/W
- colour rendering index CRI=85
- at a 3 hr switching cycle the lamps will last 16,000 burning hours if operated on appropriate HF warm-start ballasts
- the lamps are well suited for dimming
- the lamps can be ignited from -15 °C to +50 °C ambient temperature and feature low striation, even at low temperatures.

## Applications

A broad range of luminous outputs will make the MASTER TL5-C lamps suitable for a wide range of both professional and semi-professional applications, including shops and offices, public areas and security lighting.

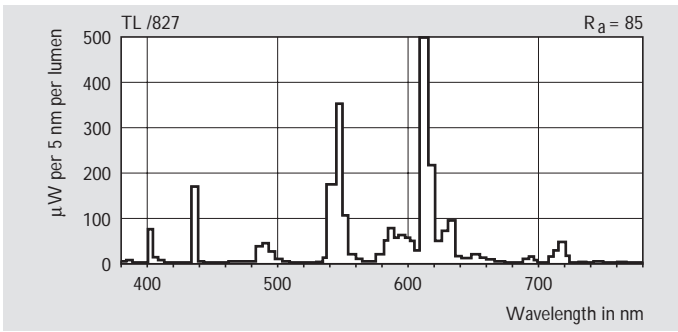
Commercial name	Type	Cap/base	Lamp voltage V	Lamp current mA	Lumen output lm	Colour designation	Correlated colour temperature K	Efficacy lm/W	Average luminance cd/cm <sup>2</sup>	Nett weight g	EOC
MASTER TL5 Circular	TL5-C 22W /827	2GX13	75	300	1800	INCAND. WHITE	2700	82	2.0	80	642196
MASTER TL5 Circular	TL5-C 22W /830	2GX13	75	300	1800	WARM WHITE	3000	82	2.0	80	640956
MASTER TL5 Circular	TL5-C 22W /840	2GX13	75	300	1800	COOL WHITE	4000	82	2.0	80	642219
MASTER TL5 Circular	TL5-C 40W /827	2GX13	126	320	3300	INCAND. WHITE	2700	83	2.6	110	642752
MASTER TL5 Circular	TL5-C 40W /830	2GX13	126	320	3300	WARM WHITE	3000	83	2.6	110	640970
MASTER TL5 Circular	TL5-C 40W /840	2GX13	126	320	3300	COOL WHITE	4000	83	2.6	110	642233
MASTER TL5 Circular	TL5-C 55W /830	2GX13	101	550	4400	WARM WHITE	3000	80	3.6	110	642790
MASTER TL5 Circular	TL5-C 55W /840	2GX13	101	550	4400	COOL WHITE	4000	80	3.6	110	642516
MASTER TL5 Circular	TL5-C 60W /830	2GX13	129	470	5400	WARM WHITE	3000	90	3.8	145	642592
MASTER TL5 Circular	TL5-C 60W /840	2GX13	129	470	5400	COOL WHITE	4000	90	3.8	145	642615

## Notes:

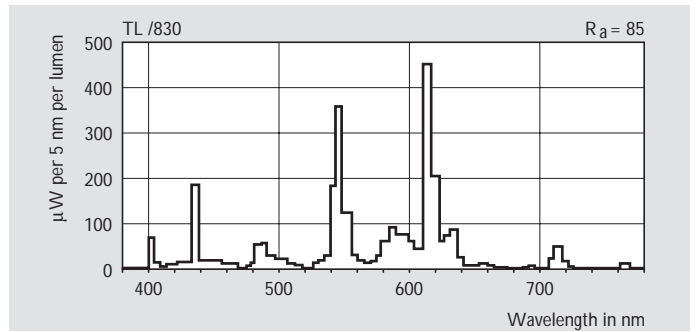
- Lumen output defined at an ambient temperature of 25 °C in free burning position.
- The lamps require an end-of-life switch-off function.
- Packing: 10 individual pieces per outerbox.

# Fluorescent lamps

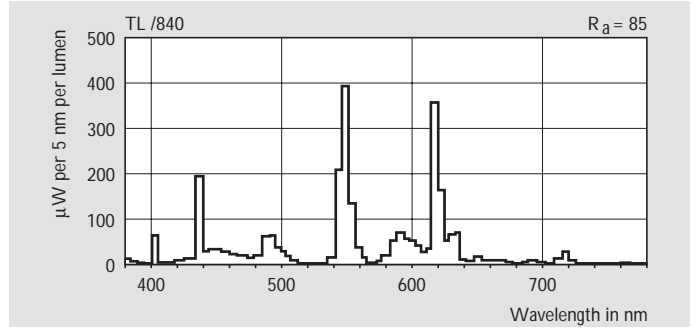
# MASTER TL5 Circular



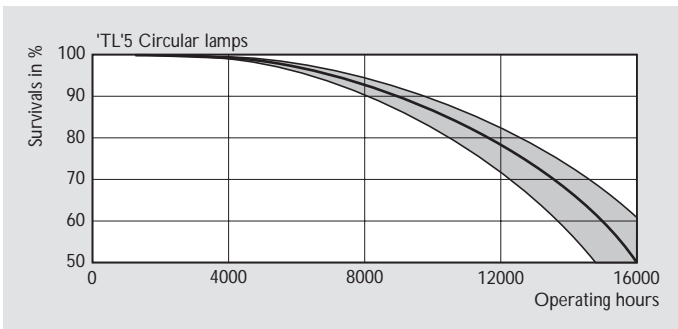
Spectral power distribution



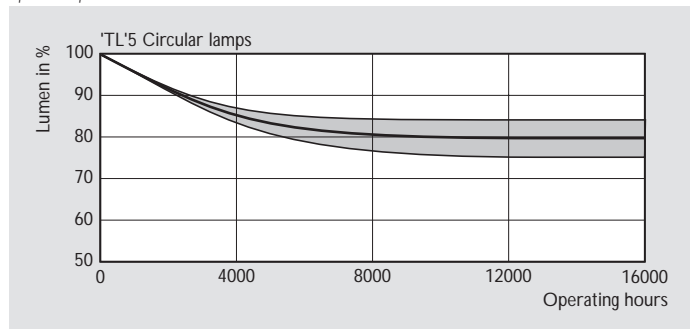
Spectral power distribution



Spectral power distribution



Life expectancy

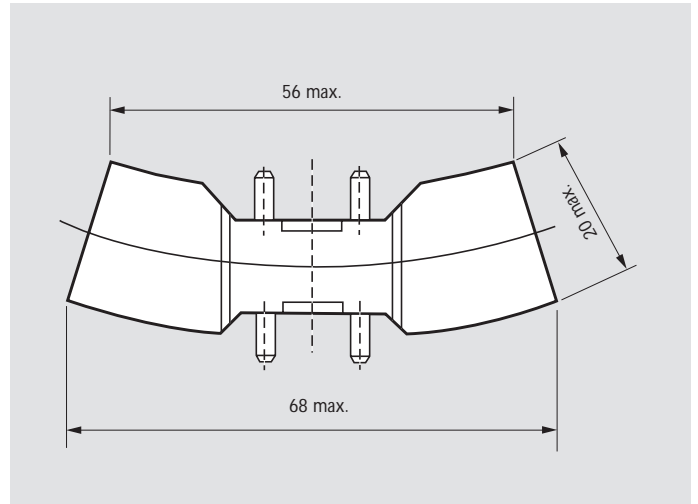


Lumen maintenance



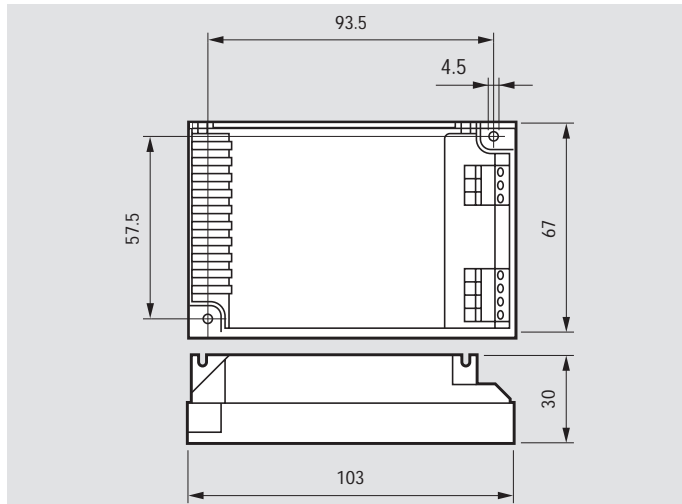
# Fluorescent lamps

# MASTER TL5 Circular

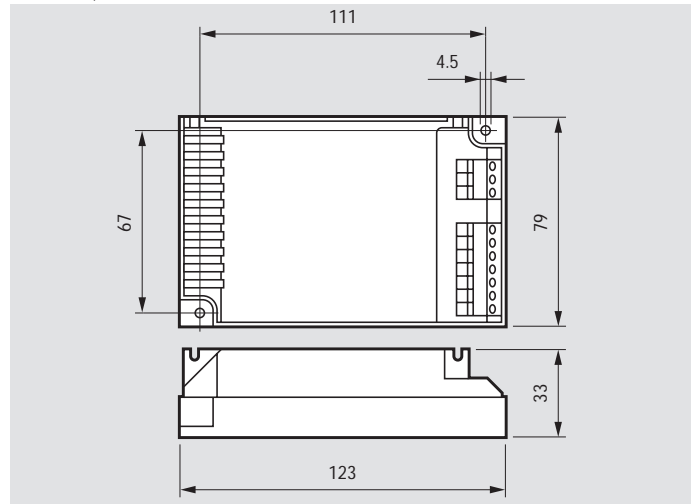


Detail lamp base 2GX13

Dimensions in mm



Ballast for TL5-C 22W / 55W / 60W



Ballast for TL5-C 22W and 40W

## Philips TL5 Circular Ballasts

Type	Dedicated ballast combination
TL5-C 22W	HF-M 124 TL5, HF-P 1 22-40 TL5C
TL5-C 40W	HF-P 1 22-40 TL5C
TL5-C 22W + 40W	HF-P 2 22+40 TL5C
TL5-C 55W	HF-P 1 55 TL5C
TL5-C 60W	HF-P 1 60 TL5C